

Safety relay SCR



MANY BENEFITS AT A GLANCE

- Safety relay, diagnostics and IO-Link communication in one device
- Space saving in the control cabinet thanks to slim design
- Provides all relevant information of each device in the chain
- Permanent exchange of all data
- Three release paths
- Category 4/PL e according to EN ISO 13849-1

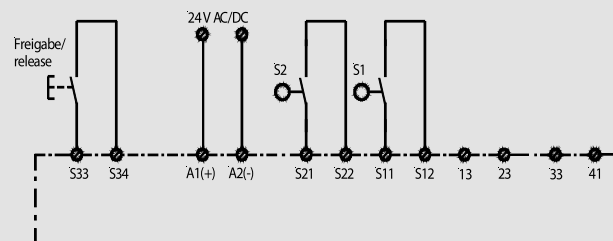
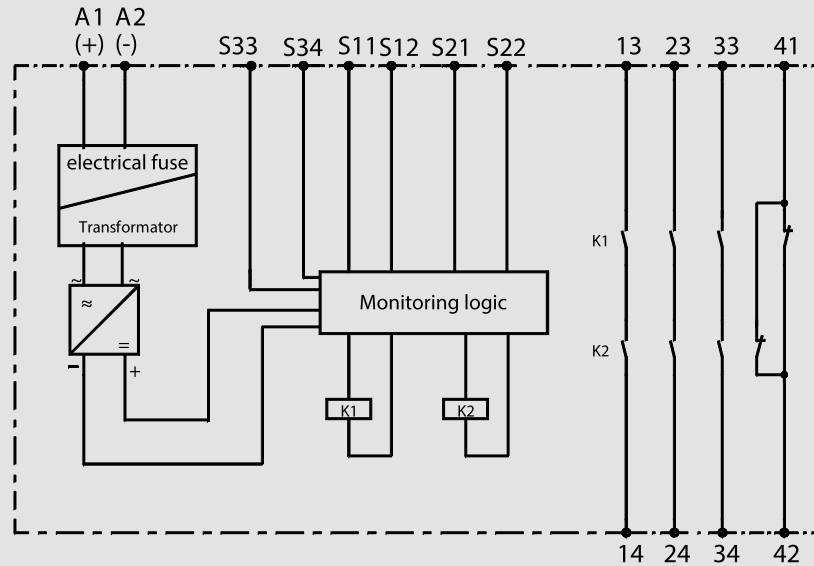
Technical data

Electrical data

Rated operating voltage	U_e	24 V DC (..1200 230V AC)
Relay contacts with up to 6A switching current per enabling path		3
Switching current of the safety output		8 A

Mechanical data

Enclosure material	Glass-fibre reinforced polyamide PA-GF
Ambient temperature	0°C to + 60°C
Protection class	IP20



Schematic diagram of the safety relay system

Product selection

Article number	Designation	Performance level	Enable current paths (NO contact)	Signalling contact (NC contact)	Monitored start	Start automatically/Button (Manual)	Comments
6075111009	SCR4-W22-3.5-D	e	3	1	No	Auto/Button	-
6075111010	SCR4-W22-3.5-SD	e	3	1	Yes	Button	-
6075111015	SCR2-W22-2.5	d	2	0	No	Auto/Button	-
6075111016	SCR2-W22-2.5-S	d	2	0	Yes	Button	-
6075111018	SCR4-W22-2.6-D2H	e	2	1	-	-	SCR for Two-hand control unit
6075111020	SCR ON4-W22-3.6-S	e	3	0	Programmable	Button	Replenishing device for electro-sensitive protective equipment
6075111200	SCR 4-W22-3.5-D	e	3	1	No	Auto/Button	Supply voltage 230 V AC

